

铝罐/PET瓶子打包机

Cans/PET Bottle Balers

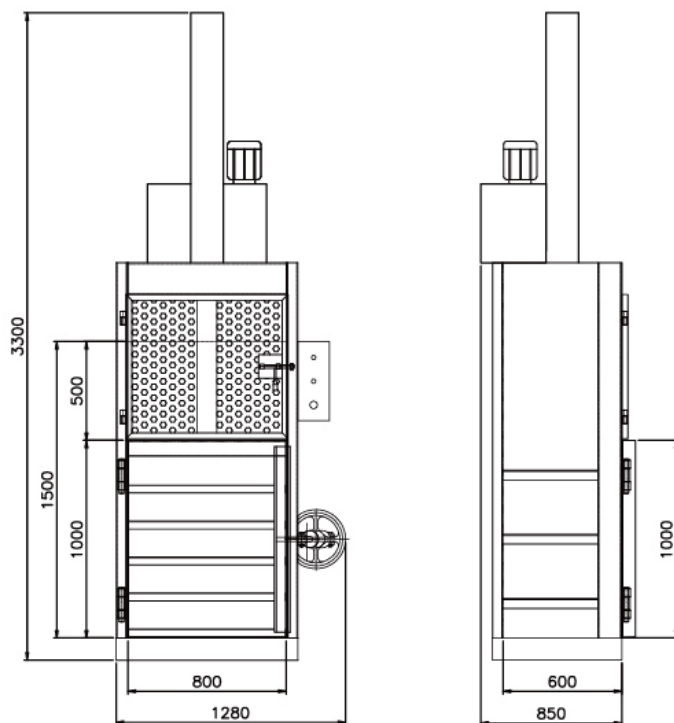
机器应用

专门用于易拉罐，PET 可乐瓶，油瓶等空心产品的压缩打包

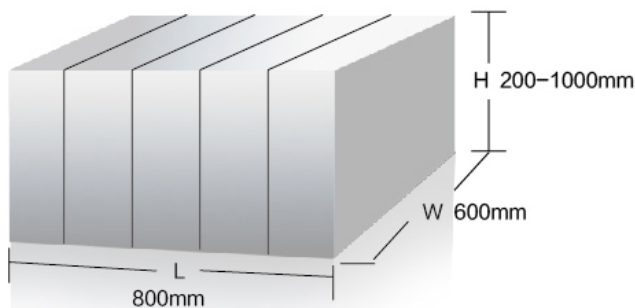
Usage

Specially used for recycling the cans, PET bottles, oil tank etc.

Diagram(Model XTY-300KL8060)



Bale Size (Model XTY-300KL8060)



参数 Specifications

型号	XTY-300KL8060	XTY-400KL10060	XTY-500KL11070	XTY-800KL12080
压力 Pressure	30tons	40tons	50tons	80tons
加料口尺寸 (L*H) Feed Opening Size (L*H)	800*500mm	1000*500mm	1100*500mm	1200*500mm
压缩腔高度 Baling Chamber Height	1500mm	1500mm	1500mm	1700mm
包块尺寸 (L*W*H, H可调) Bale Size (L*W*H, H is adjustable)	800*600*(200-1000)mm	1000*600*(300-1000)mm	1100*700*(300-1000)mm	1200*800*(300-1200)mm
包块重量 Bale Weight	30-120kgs	60-180kgs	90-270kgs	200-380kgs
功率 Power	5.5kw	7.5kw	11kw	15kw
机器重量 Machine Weight	1400kgs	1700kgs	1900kgs	2500kgs
机器外观尺寸 Machine Overall Dimension	1280*850*3300mm	1480*1000*3400mm	1600*1100*3500mm	1700*1200*3900mm

机器特点

- 自动挂链出包，提高了工作效率
- 采用开门停机设计，使机器更安全可靠
- 装配急停按钮，单独安装，位置醒目，使操作更安全
- 采用欧美标准的防弹门结构，能保护操作者的安全
- 装配自动平衡装置，避免因放置物料不当产生意外
- 采用日本进口NOK密封圈，使用寿命更长
- 采用日本A.M.C油管接头，确保不漏油
- 独特的电机和泵的直叉连接，保证泵和电机100%同心，替代了一般的联轴器联结方式，提高了泵的使用寿命



Features

- Automatic chain bale ejector for quickly and easily ejecting the bales out from the machine
- The ram will stop running downwards when the feeding gate is opened which ensure the safety of the operation
- Equipped with independent emergency stop for safe operation
- Equipped with Euro and U.S standard anti-rebound gate structure which makes sure the safety of operation
- Special ram guides design makes the platen not slope because of uneven materials feedings during compression
- Equipped with NOK seals that from Japan means longer lifespan of the seals
- Equipped with A.M.C. oil pipe joints that from Japan ensures the machine far away from oil leakage problems
- Peculiar combination of motor and pump with direct-crossed connection makes sure 100 percent concentricity, which replacing the common coupling connection so that extend the lifespan of the pump