

大中型闭口卧式打包机

Large-sized and Medium-sized Semi Automatic Balers with Closed Gate

机器应用

专门用于塑料薄膜, 塑料瓶, 塑料筐, 废弃电脑壳, 废纸, 废旧纸板, 纸箱, 海绵等松散物的压缩打包。

Usage

Specialized in recycling and compressing the loose materials like plastic film, PET bottles, plastic pallets, waste computer shell, waste paper, cartons, cardboards trims/scrap, foam etc.



Bale Size (Model XTY-1000WB11085)

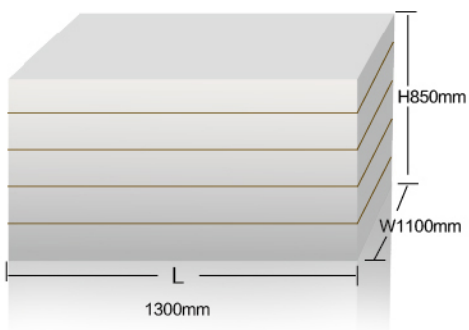
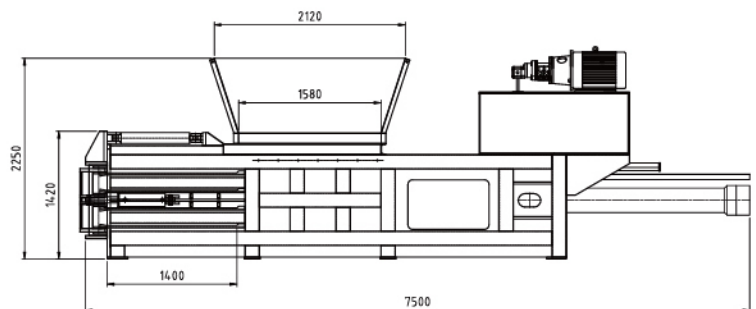


Diagram (XTY-1000WB11085)



机器特点

- 闭口式结构，使得包打的更紧
- 高强度出包门，自动开关门，液压锁门，使操作更便捷
- 合理的双剪式刀片设计，提高了切纸效率，延长刀片的使用寿命
- 独特的防滑落设计，避免梯形包的出现，使包块更美观
- 主油缸采用炮耳支架及球端面设计，可消除作用在主轴上的扭矩，显著延长油封寿命
- 压车经过龙门铣床加工，确保运动时的精度
- 本机采用原装台湾进口液压阀，使机器更安全耐用
- 无需特殊的场地基础设施，使安装简单容易

Features

- Heavy duty close-gate design for more tighter bales
- Hydraulic locked gate ensures more convenient operation
- Unique double-cutting design of cutters improves the cutting efficiency and lengthens the lifespan of the cutters
- Particular anti-slide design of the machine makes nicer bales
- Unique trunnion-mounted frame and ball-end joint design for the main cylinder avoid the torque on the rod, which lengthens the lifespan of the seals
- The press heads are specially processed by planomiller, ensures the precise running of the ram
- Use high quality hydraulic valves from Taiwan, ensures the stable running of the machine
- The heavy duty machine body makes sure only flat ground is required by the installation

参数 Specifications

型号 Model	XTY-300WB7070	XTY-400WB7280	XTY-600WB10080	XTY-1000WB11085	XTY-1000WB110110
压力 Pressure	30tons	40tons	60tons	100tons	100tons
主电机功率 Main Motor Power	11kw	11kw	15kw	30kw	30kw
冷却方式 Cooling System	N/A	air cooler/water cooler	air cooler/water cooler	air cooler/water cooler	air cooler/water cooler
循环时间 (空载) Cycle Time (unload)	27s	19s	23s	36s	42s
油箱尺寸 Oil Reservoir	240L	240L	380L	1460L	1600L
捆包道数 Number of Belting	3lines	4lines	4lines	4lines	5lines
捆包铁丝规格 Wire Size	Ø 2.4-2.7	Ø 2.4-2.7	Ø 2.7-3.0	Ø 3.0-3.2	Ø 3.0-3.2
加料口尺寸 (L*W) Feed Opening Size (L*W)	700*690mm	1000*700mm	1200*980mm	1400*1050mm	2000*1050mm
压缩腔尺寸 (L*W*H) Chamber Size (L*W*H)	1700*690*690mm	2200*700*780mm	2400*980*780mm	3000*1050*830mm	4000*1050*1050mm
包块尺寸 (L*W*H, L可调) Bale Size (L*W*H, L can be adjustable)	900*700*700mm	1000*720*800mm	1000*1000*800mm	1300*1100*850mm	1600*1100*1100mm
打包密度 (OCC) Bale Density (OCC)	400-500kgs/m ³	400-500kgs/m ³	450-550kgs/m ³	500-600kgs/m ³	500-600kgs/m ³
产量 (大概/与原材料密度和 操作人员的速度决定) Throughput (approx./ depend on the raw material density and the skill of the operators)	0.5-1ton/h	0.5-1ton/h	1-2tons/h	1.5-3tons/h	2-6tons/h
机器重量 Machine Weight	4tons	4tons	5.2tons	12tons	18tons
机器外观尺寸 Machine Overall Dimension	4200*1100*1900mm	5500*1100*2000mm	6100*1400*2000mm	7450*1600*2300mm	8200*1600*3500mm
送料装置 Feeding Device	cyclone/belt conveyor	cyclone/belt conveyor	cyclone/iron conveyor	cyclone/iron conveyor	cyclone/iron conveyor

传输机 Conveyor

有效宽度 Feeding Width	600mm	1000mm	1000mm	1300mm	2000mm
速度 Speed	12m/min	12m/min	12m/min	12m/min	12m/min
功率 Power	5.5kw	2.2kw	5.5kw	7.5kw	7.5kw
重量 Weight	1.0tons	1.2tons	5tons	7tons	10tons
外观尺寸 Overall Dimension	4500*800*2000mm	5000*1200*2500mm	9000*1300*3800mm	10500*1900*4700mm	10500*2200*4700mm

大中型闭口卧式打包机

Large-sized and Medium-sized Semi Automatic Balers with Closed Gate

