

轮胎打包机 Tire Balers

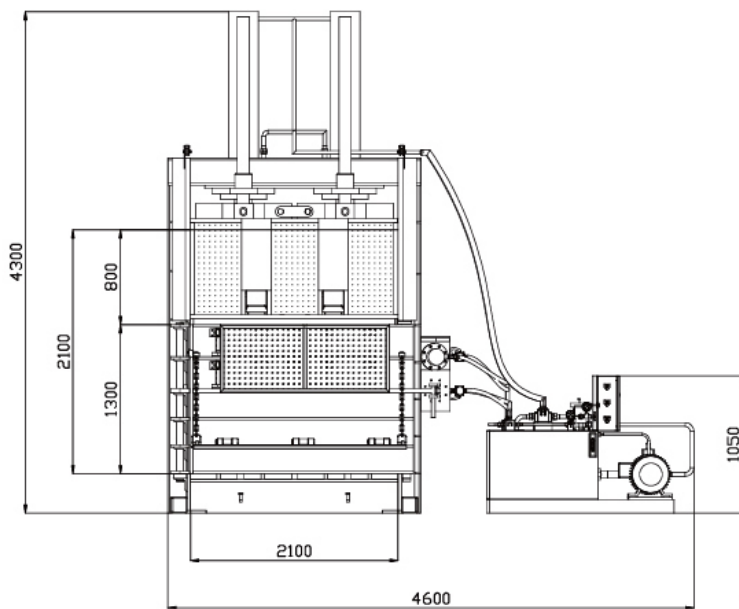
机器应用

专门用于汽车轮胎，卡车轮胎等产品的回收打包，被大量用于轮胎回收中心。

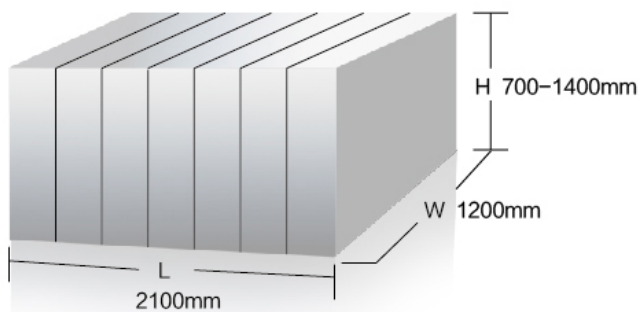
Usage

Specially designed for compressing rubber products like car tires, truck tires, bus tires etc.

Diagram(Model XTY-1200LF210120)



Bale Size(Model XTY-1200LF210120)



参数 Specifications

型号	XTY-1200LF15379	XTY-1200LF210120
压力 Pressure	120tons	120tons
功率 Power	15kw	22kw
压缩腔尺寸 Baling Chamber Size(L*W*H)	1530*790*1800mm	2100*1200*2100mm
包块尺寸 (L*W*H, H可调) Bale Size(L*W*H, H is adjustable)	1530*790* (500-1200) mm	2100*1200* (700-1400) mm
包块尺寸 (膨胀后) Bale Size(L*W*H) After expansion	1600*850*1200mm	2200*1300*1400mm
包块重量 Bale Weight	1tons	1.9tons
机器重量 Machine Weight	7tons	12tons
机器外观尺寸 Machine Size(L*W*H)	3734*1098*3700mm	4231*1510*4300mm

机器特点

- 液压驱动开关门，确保操作安全，开关门更方便
- 特有的压盘设计，在材料放置不平整的情况下，通过双杠不同频率的打压来保护压盘不受损
- 整个系统手动控制，容易操作，确保了耐用性
- 伸缩式防弹钩预防轮胎的反弹
- 采用台湾液压系统
- 主要采用施耐德电器元件
- 采用日本A.M.C.油管接头，确保不漏油
- 全自动挂链出包，更易操作，确保更高效率
- 前后开门，更容易捆扎和出包



Features

- Hydraulic-driven opening door ensures operational safety and easier opening & closing
- Two split platens with movable links to protect the platen from being distorted when pressing uneven materials like rubber tire etc
- Whole system manual control to make sure durability and simple operation
- Retractable retainer claws prevent the compacted bales to rebound
- Employ whole set Taiwan hydraulic system
- Mainly use Schneider electric components
- Employ Japanese A.M.C. oil pipe joint makes sure no oil leakage
- Auto chain bale ejector for easy operation and greater efficiency (the bale can be automatically ejected out by the lifting chains)
- Front & Back opening doors for convenient strapping and bale ejecting